

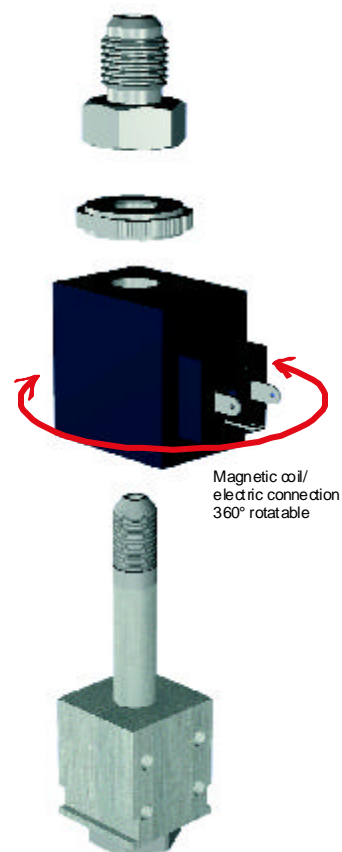
## DynaCold Mini - Small Design - High Efficiency

**The fast electrical application head for cold glue  
- small, flexible and service friendly**

The DynaCold Mini is a smaller, lighter-weight version of our renowned DynaCold Series high-speed electrical application heads. The "Mini" retains all the capabilities of its larger sibling while providing more flexible installation options.

## The DynaCold Mini's enhanced Design Features include:

- Easy installation in every machine.
- 55% smaller than the original DynaCold Series applicator
- Whenever lightweight is required... 50% weight reduction
- Integrated seat nozzle to optimize adhesive cut off
- 360° rotatable electric connection for installation flexibility



## Designed for a wide variety of requirements

- A large selection of nozzles and nozzle plates enables fast/easy changeovers for a variety of gluing requirements
- Special versions may be designed to meet your demands

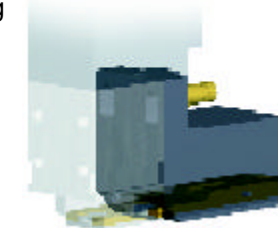


## Easy to maintain and cost-effective

- Assembly/Disassembly is quick and easy with standard tools
- No dynamic seals for less maintenance and lower life-cycle costs
- The ball-seat-closing-mechanism guarantees long-life and reduces costs for wear parts
- All DynaCold Mini application heads are manufactured from stainless steel for long life.
- Designed to meet IP 64 standards

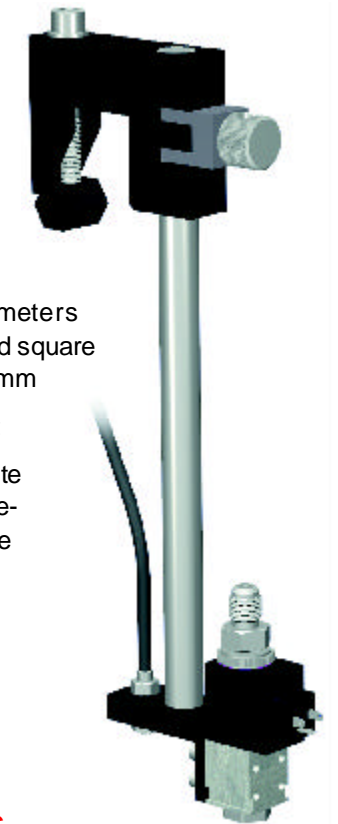
## Convenient nozzle shutter device (optional)

- The nozzle is automatically sealed during periods of machine inactivity to eliminate nozzle clogging
- The shutter is easy to push back, to remove (for cleaning purposes) and to in-stall. Nozzle maintenance is reduced to a minimum.



## Multi-Purpose Mounting Bracket

- The optional bracket meets a wide array of mounting needs
- Robust construction
- Suitable for rods with diameters between 16 and 30 mm and square rods between 15 and 30 mm
- Simple height adjustment
- Designed to easily integrate a photo sensor trigger. Reduced costs as a separate bracket is unnecessary.



## Typical Applications

- Envelopes
- Folding Cartons
- Corrugated Manufacturer's Joint
- Cigarettes
- Pad gluing
- Bookbinding: Back-Boning, Perfect Binding
- In line presses
- Business Forms
- Buckle Folders, Mailings
- Sacks and Bags
- Folder gluers

## Accessories

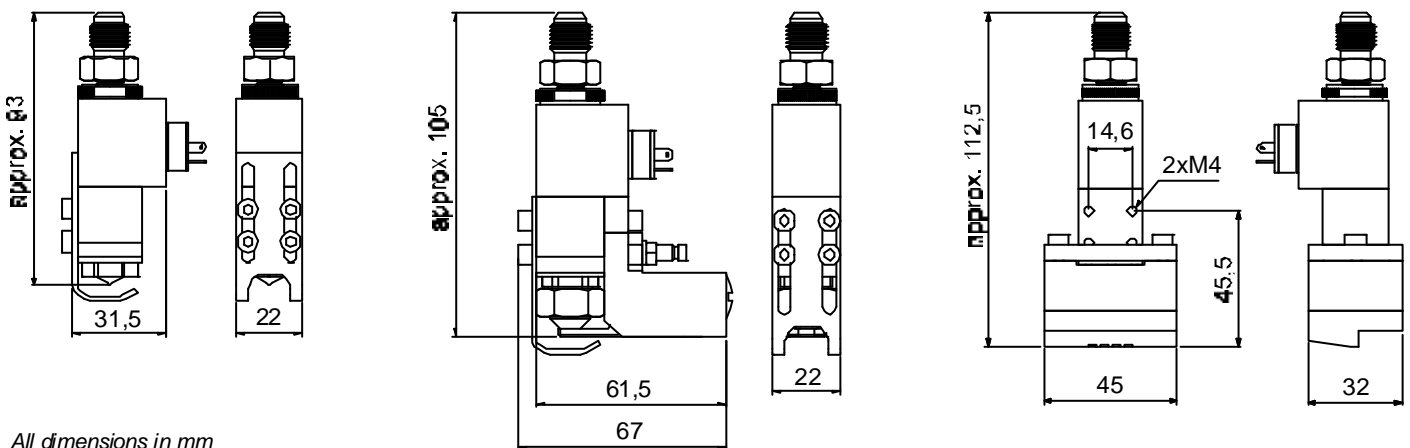
- Pattern controller for speed-adjusted applications
- Time control for machines with constant speed
- Glue detection
- Piston pump for high-pressure applications
- Diaphragm pump and pressure tank for low pressure requirements
- In-Line fluid filter

# DynaCold Mini

## Technical Data

	DynaCold Mini with nozzle/seat	DynaCold Mini with non-contact nozzle	DynaCold Mini with contact nozzle	DynaCold Mini with nozzle plate	DynaCold Mini with nozzle plate and screw-in nozzle
Kind of application	non-contact	non-contact	contact	contact	non-contact
Shape of application	Bead	Bead	Stripes	Stripes	Bead
Application pattern	By customer request programmable via controller: e. g. bead, dot, surface, slot die				
Design	nozzle/seat	non-contact nozzle	contact nozzle	nozzle plate	nozzle plate and screw-in nozzle
Drilling Amount	1	1	1-2	1-10 *	1-5 *
Maximum Viscosity	3000 mPas (cps)	3000 mPas (cps)	6000 mPas (cps)	6000 mPas (cps)	3000 mPas (cps)
Weight (Approx)	260 g (0.69lbs)	260 g (0.69 lbs)	260 g (0.69 lbs)	410 g (1.10 lbs)	410 g (1.10 lbs)
Maximum Pressure	30 bar (440 psi)				
Cycle Time	max. 500 per sec.				
Voltage	24 V DC + Over Excitation				
Power Requirement	9 W				
Noise	< 70 dB(A)				

\* Special design possible



All dimensions in mm



[www.itwdynatec.com](http://www.itwdynatec.com)

### Europe/Middle East/Africa

ITW Dynatec Europe  
 Industriestr. 28  
 D-40822 Mettmann  
 Germany  
 Phone: +49-(0) 21 04-915-0  
 Fax: +49-(0) 21 04-915-111  
 e.mail@itwdynatec.de

### The Americas

ITW Dynatec  
 31 Volunteer Drive  
 Hendersonville, TN 37075  
 USA  
 Phone: +1 615-824-36 34  
 Fax: +1 615-264-52 48  
 Dynatec@itwdynatec.com

### Asia/Pacific

ITW Dynatec K.K.  
 Daiwashinagawa Bldg.  
 7-15 Konan, 3-Chome  
 Minato-Ku, Tokyo 108  
 Japan  
 Phone: +81-3-3450-5901  
 Fax: +81-3-3450-8405  
 info@itwdynatec.co.jp